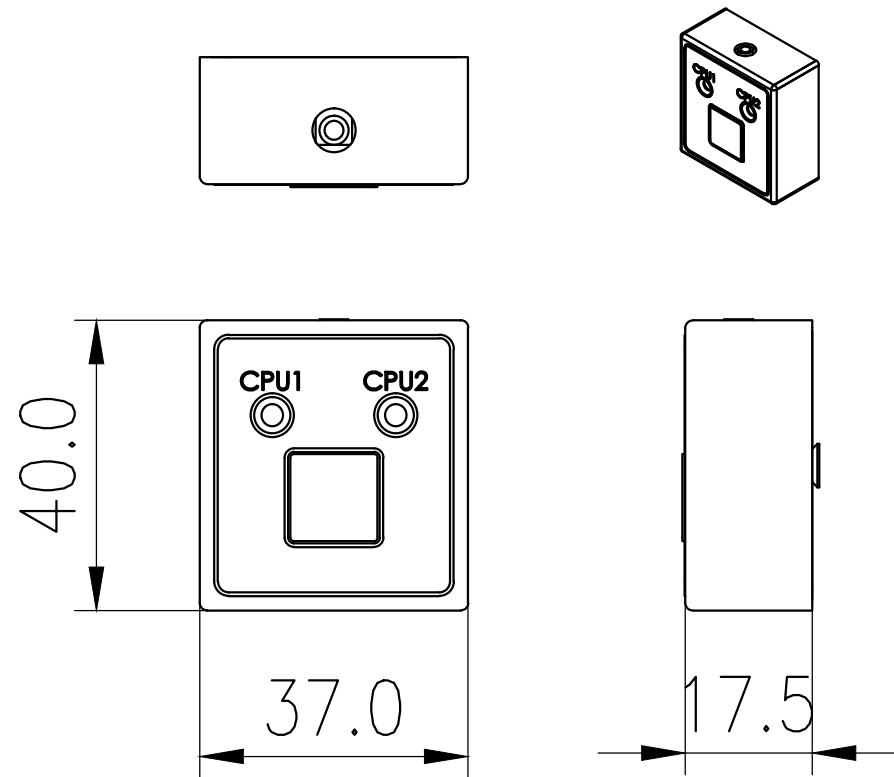
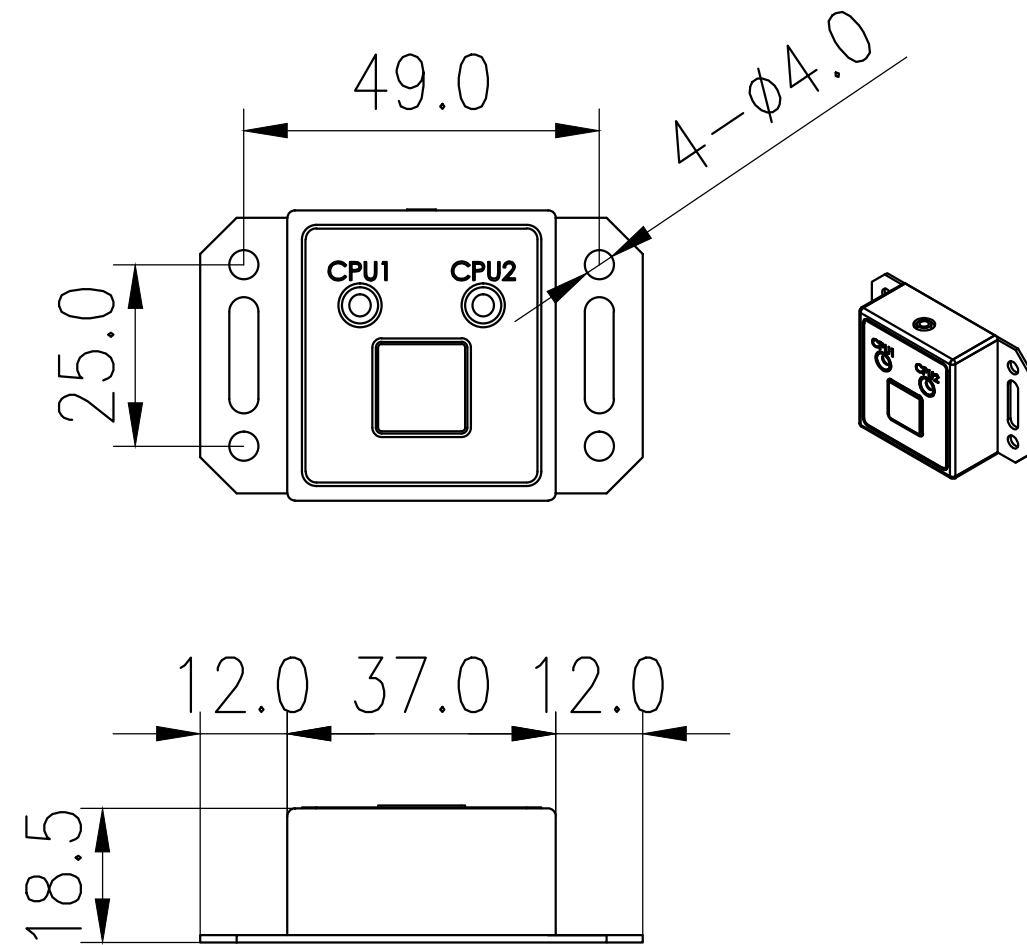



# -REMOTE



# -REMOTE(BRAKET)



-	ASS'Y	-	-
PART NO	DRAWING NAME	Q'TY	SPECIFICATION
DESIGN	JEONG HYO CHEOL	MODEL NO.	
DATE	2022.06.21		
		PART NAME	KVM-REMOTE